

# SEP 63SN

SEP Series – Stamping presses for every application

**SCHAAL**  
by Weil Technology



Visit our  
website



02 2022

## Technical Data

Press force	630 kN (available from 100 strokes/min)
Stroke rate	stepless up to 500 strokes/min
Distance between table and ram (with clamping bars), largest stroke at the bottom, adjustment at the top	325/370 mm (without ram plate)
Ram adjustment	80 mm
Ram stroke – adjustable	8 – 80 mm
Ram surface (L x W)	500 x 293 mm
Ram plate (L x W x H)	620 x 500 x 45 mm
Drilled hole in the ram	Ø 50 x 100 mm
Fitting groove in the ram	30 H7 mm
Table surface (L x W)	830 x 710 mm
Mould dimensions (L x W)	790 x 610 mm
Clamping bars thickness	80 mm
Through-hole clamping bars (L x W)	straight x 130 – 190 mm (adjustable)
Through-hole in the table (L x W)	640/520 x 200 mm
Belt infeed above clamping surface	feed-dependent
Drive power	22 kW
Weight (without feed)	8000 kg
Dimensions (L x W x H)	1820 x 1240 x 2800 mm

## Structure

- Press body in stable double-column mono-block design made of vibration-damping gray cast iron
- Eccentric shaft on roller bearings with adjustment stroke and rotating mass balance
- Air-cooled piston rod, mounted on the eccentric shaft with multi-row, heavy-duty caged roller bearings
- Press ram made of high-strength titanium alloyed cast Al, 6-fold backlash-free rolling bearing supported by linear roller bearings on hardened and ground guideways
- Press drive via frequency-controlled three-phase motor, flywheel and pneumatic clutch-brake combination
- Press sequence control in PLC technology
- Press control with cam controller, mould and press force monitoring
- Special/additional equipment possible at any time by technical arrangement
- The SEP 63 SN stamping press can be individually equipped with gripper or roller feeds pushing or pulling

Technical changes reserved.

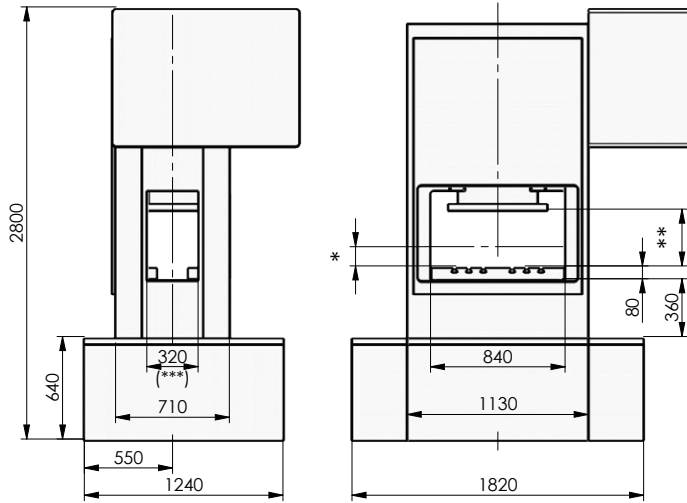
[www.schaal-technology.com](http://www.schaal-technology.com)

**Realizing fascinating solutions**

# SEP 63SN

SEP Series – Stamping presses for every application

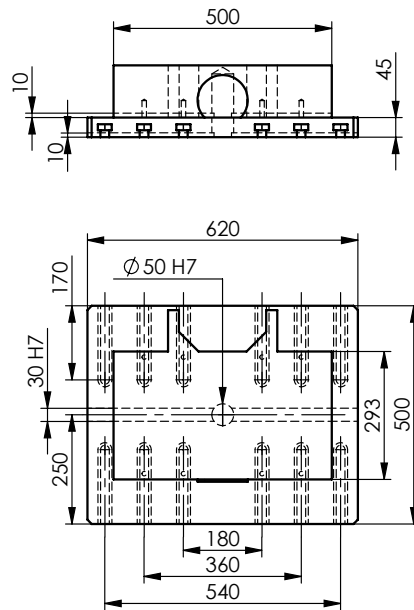
## Dimensions



- \* Belt feed height above clamping surface on request (feed-dependent)
- \*\* Mould installation height (see table)
- \*\*\* The lateral passage on the press body is reduced to **260 mm** when a gripper feed is used (special widths on request)

Ram stroke in mm	Mould installation height min. - max	Permissible stroke rate depending on ram stroke
8	281 - 361	500
10	280 - 360	470
16	277 - 357	380
22	274 - 354	340
28	271 - 351	300
35	268 - 348	260
40	265 - 345	240
46	262 - 342	230
52	259 - 339	220
57	257 - 337	210
62	254 - 334	200
66	252 - 332	195
70	250 - 330	190
73	249 - 329	180
75	248 - 328	170
77	247 - 327	165
78	246 - 326	160
79	246 - 326	150
80	245 - 325	140
mechanically adjustable	Installation height in mm for bottom ram stroke (BDC) with ram plate (without = plus 45 mm)	with maximum mould upper part weight of 320 kg

## Ram Surface



## Mould mounting surface

